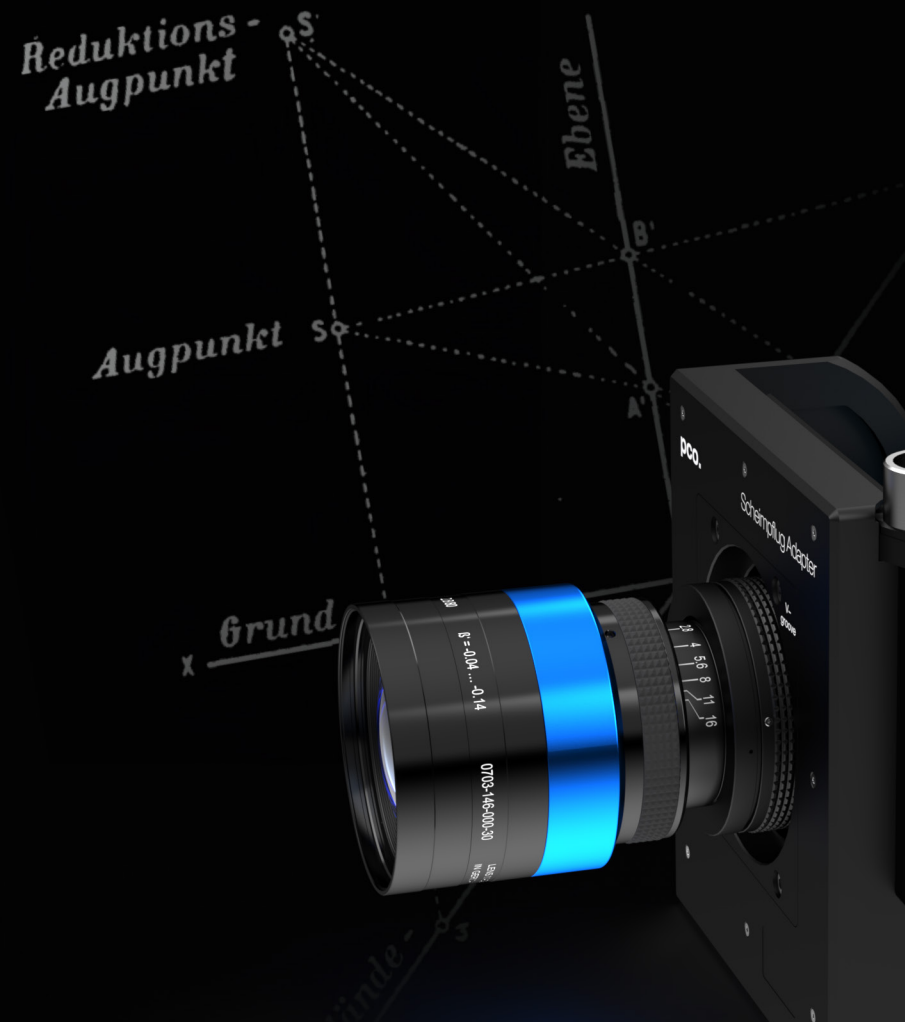


data sheet

pco. scheinpflug

module for single-axis scheinpflug adjustment



designed for large image sensors

rugged design

exchangeable inserts for V-Groove / C- / TFL-mount lens adapter

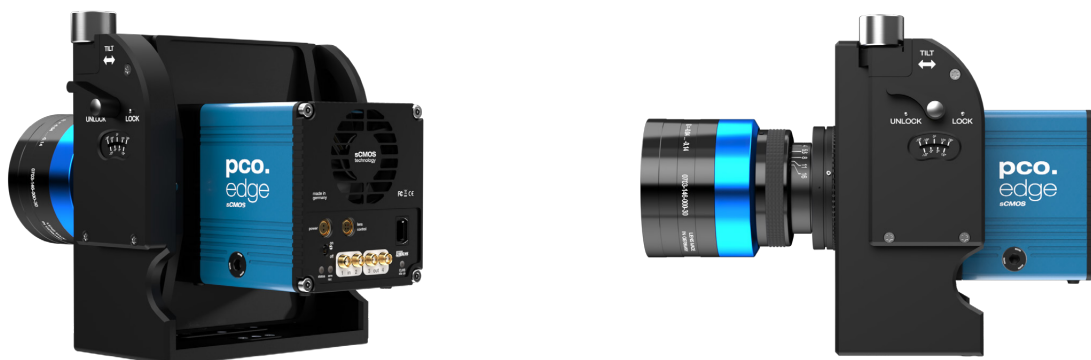
compatible with multiple PCO cameras

imaging with focus planes set to an oblique angle

continuous adjustment within $\pm 18^\circ$ tilt angle

technical data

specifications	
dimensions (height x width x length)	183 mm x 180 mm x 80 mm
weight	1.7 kg
material	anodized aluminium
color	black
max. lens weight w/o support	1.5 kg
adjustable tilt angle	± 18 ° (continuous)
tilt procedure	manual adjustment via knurled screw
tilt mechanism	worm gear
adapter mounting	attachable to mounting plates (via UNC 1/4"-20 or M5 screws)
camera compatibility	pco.edge 26 CLHS, pco.edge 10 bi (LT) CLHS, pco.edge 26 USB, others upon request
optical interfaces ¹	C-Mount, TFL-Mount, V-Groove ^{2, 3}



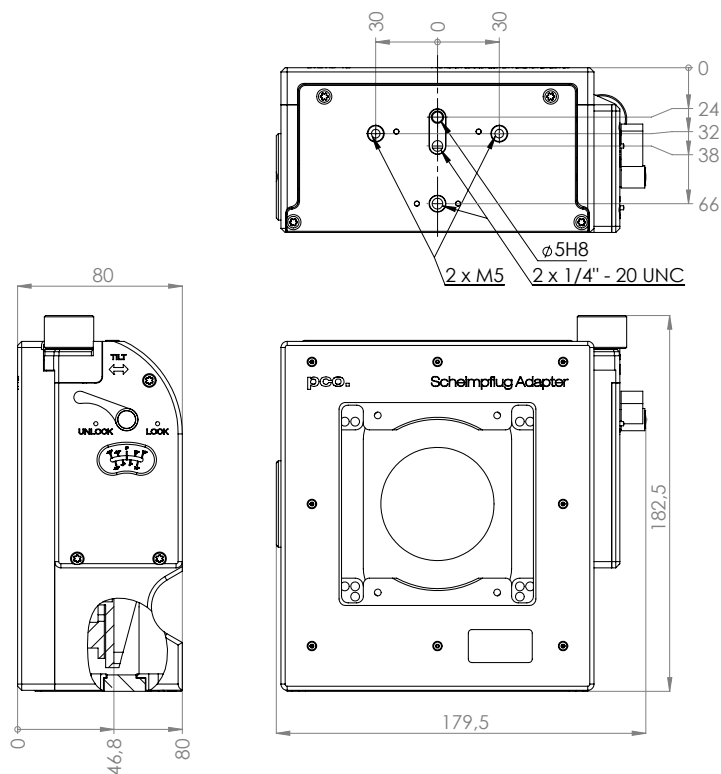
operational and storage data	
max. system temperature	60 °C
operating temperature	+5 °C to +40 °C
storage temperature	-10 °C to +60 °C
storage conditions	dust-free and clean

¹ not included, must be ordered separately!

² interface to the LINOS machine vision lens series | attaches nearly every LINOS machine vision lens to the pco.scheimpflug adapter | compatible with the LINOS modular and smart focus systems.

³ flange focal distance: 43.3 mm

dimensions



Outlines of pco.scheimpflug (all dimensions given in mm).

ordering information

pco.scheimpflug HW-8580	30109000500	compatible with pco.edge 10 bi (LT) CLHS and pco.edge 26 CLHS
pco.scheimpflug HW-7570	30109000570	compatible with pco.edge 26 USB
lens adapter Linos	30109000560	lens mount insert with V-groove interface
lens adapter C	30109000540	lens mount insert with 1" thread / 32 tpi
lens adapter TFL	30109000550	lens mount insert with M35 x 0.75 mm thread



Example setup showcasing pco.scheimpflug HW-8580 with pco.edge 10 bi CLHS and d.fine HR-M 2.8/80 0.09x lens.

pco.

An Excelitas Technologies Brand

address: Excelitas PCO GmbH
Donaupark 11
93309 Kelheim, Germany

phone: +49 (0) 9441 2005 0

mail: pco@excelitas.com

web: www.excelitas.com/pco



EXCELITAS
TECHNOLOGIES®